



CUTWATER 30
OWNERS MANUAL



TABLE OF CONTENTS

Table Of Contents	2
Congratulations	3
Safety	3
Symbol Glossary	4
Specifications (<i>Subject To Change Without Notice</i>)	5
Equipment Location	6
Starboard Fittings	6
Port Fittings	7
Main Cabin Top Deck Components	8
Stern Components	9
Fuse Location & Values	10
Main Cabin And Cockpit Lights	12
Battery Compartment	13
Power Distribution Center	14
AC Distribution Panel, Rotary Switch & DV Volt Meter	15
Fuel System, Engine, Generator & Webasto Furnace	16
Webasto Furnace	17
Air Conditioning System	18
Generator	19
Solar Panel	20
Shore Power	21
Closed Engine Cooling System	22
Sea Strainer System	23
Raw Water Wash Down	24
Fresh Water Plumbing System	25
Shower Sump	26
Bilge Pump System	27
Waste System	28
Mast Set Up And Takedown	29
Cutwater 30 Wiring Schematic (Acc. 1)	30
Cutwater 30 Wiring Schematic (Acc. 2)	31
Cutwater 30 Wiring Schematic (Acc. 3)	32
Cutwater 30 Wiring Schematic (Lighting)	33
Cutwater 30 Wiring Schematic (P.D.P.)	34
Working Deck	35
Care And Maintenance	36
Example Of A Preparation For The Road Checklist	36
Example Of A Spring Pre-Launch Checklist	37
Example Of Winter Storage Checklist	38
Reference Material	39
Contacts	40
Notes	41

CONGRATULATIONS

The Cutwater family has a passion for boating. We are committed to continuous process improvement in all areas that affect our customer's satisfaction with our products and providing great customer service.

SAFETY

Safety is always a concern at Cutwater. Please read all manuals to ensure that equipment is used in a safe manner. We highly recommend attendance in a Coast Guard approved boating safety course. Such courses are available from the Coast Guard directly or from boating organizations. Owners should have annual inspections to ensure that all safety equipment is current.

SYMBOL GLOSSARY



Attention! – Important Operating or Maintenance Instructions



Attention! – Electrical Shock Hazard



Fresh Water



Black Water



Fuel



Standard Equipment



Optional Equipment



Hints

SPECIFICATIONS

C30

LOA molded	30' - 0"	9.14 m
LOA rigged (with swim platform & pulpit)	34' - 4"	10.46 m
Bridge clearance (mast folded)	9' - 9"	2.97 m
Height on trailer.....	13' - 2"	4.01 m
Beam.....	10' - 0"	3.05 m
Draft.....	2' - 5"	.73 m
Fuel capacity	180 U.S. Gal	681.4 L
Water capacity.....	80 U.S. Gal	302.8 L
Holding tank capacity	40 U.S. Gal	151.4 L
Weight dry.....	10,200 lbs	4,626 kg
Engine	D6 Volvo 435 H.P. Diesel	

C30 SPORT TOP

LOA molded	30' - 0"	9.14 m
LOA rigged (with swim platform & pulpit)	34' - 4"	10.46 m
Bridge clearance (mast folded)	9' - 9"	2.97 m
Height on trailer.....	13' - 2"	4.01 m
Beam.....	10' - 0"	3.05 m
Draft.....	2' - 5"	.73 m
Fuel capacity	180 U.S. Gal	681.4 L
Water capacity.....	80 U.S. Gal	302.8 L
Holding tank capacity	40 U.S. Gal	151.4 L
Weight dry.....	10,200 lbs	4,626 kg
Engine	D6 Volvo 435 H.P. Diesel	

C30 COMMAND BRIDGE

LOA molded	30' - 0"	9.14 m
LOA rigged (with swim platform & pulpit)	34' - 4"	10.46 m
Bridge clearance (bridge folded).....	9' - 9"	2.97 m
Height on trailer.....	13' - 2"	4.01 m
Beam.....	10' - 0"	3.05 m
Draft.....	2' - 5"	.73 m
Fuel capacity	180 U.S. Gal	681.4 L
Water capacity.....	80 U.S. Gal	302.8 L
Holding tank capacity	40 U.S. Gal	151.4 L
Weight dry.....	10,980 lbs	4,980 kg
Engine	D6 Volvo 435 H.P. Diesel	

(Subject to Change Without Notice)

EQUIPMENT LOCATION

STARBOARD FITTINGS

STD

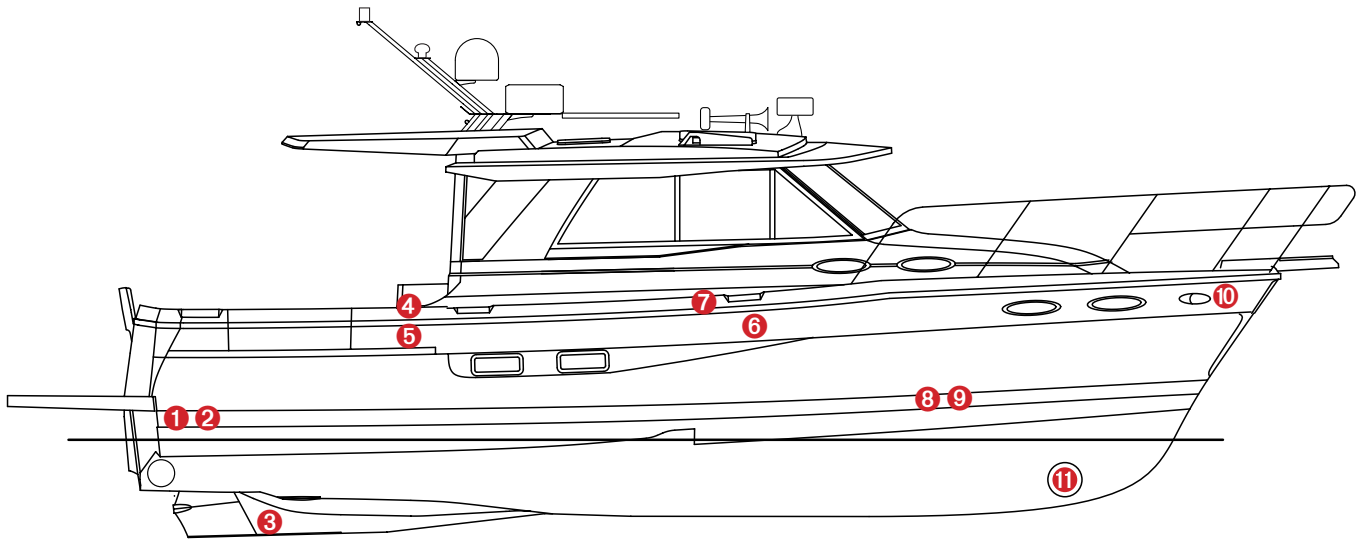
1 2 3 4 5 6 7 8 10 11

OPT

9



Keep all vents, drains and exhausts clear of any obstructions to ensure proper performance of each system.



- | | |
|-------------------|-------------------|
| 1 Aft Bilge | 7 Waste Pump Out |
| 2 Forward Bilge | 8 Head Sink Drain |
| 3 Keel Drain Plug | 9 Macerator |
| 4 Diesel Fill | 10 Docking Lights |
| 5 Fuel Vent | 11 Bow Thruster |
| 6 Waste Vent | |

PORT FITTINGS

STD

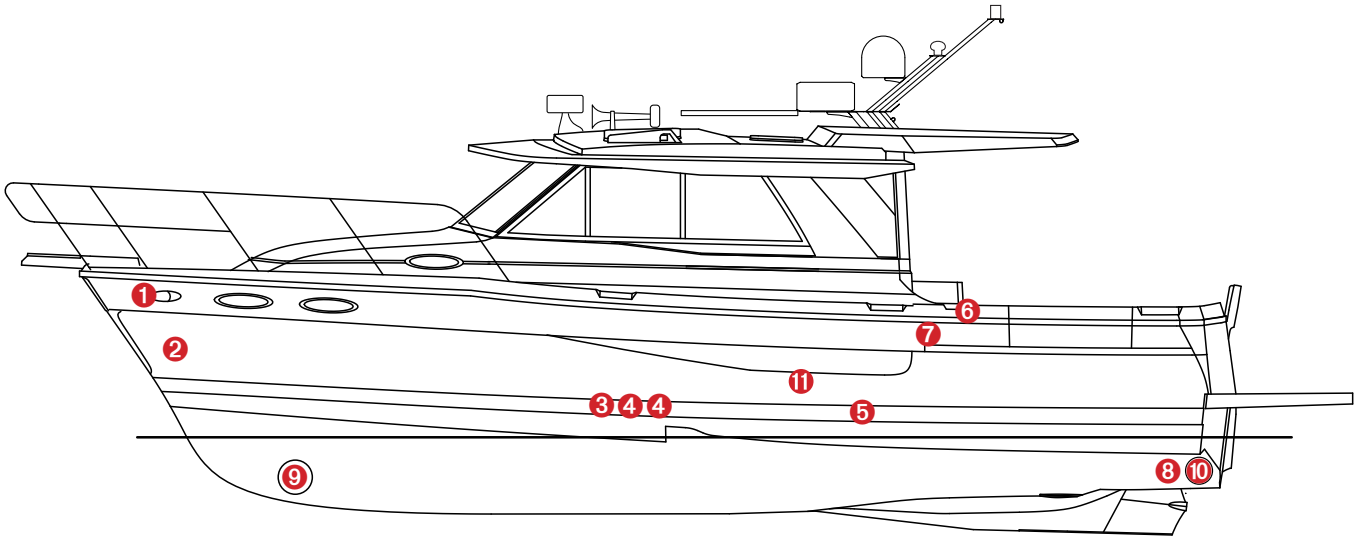
1 2 3 5 6 7 9 10

OPT

4 8 11



Keep all vents, drains and exhausts clear of any obstructions to ensure proper performance of each system.



- | | |
|-------------------------|--------------------------|
| ① Docking Lights | ⑦ Freshwater Vent |
| ② Anchor Locker Drain | ⑧ Generator Exhaust |
| ③ Shower Sump | ⑨ Bow Thruster |
| ④ Air Conditioner Drain | ⑩ Engine Exhaust |
| ⑤ Galley Sink Drain | ⑪ Webasto Heater Exhaust |
| ⑥ Freshwater Fill | |

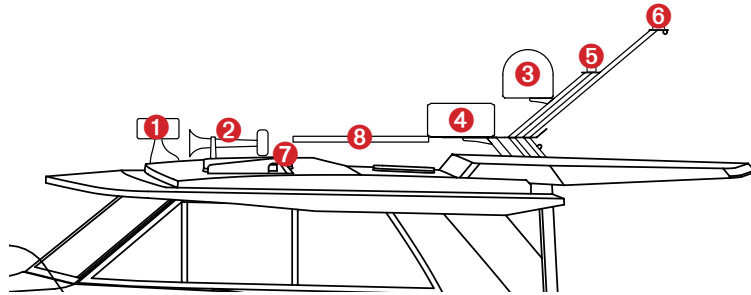
MAIN CABIN TOP DECK COMPONENTS

STD

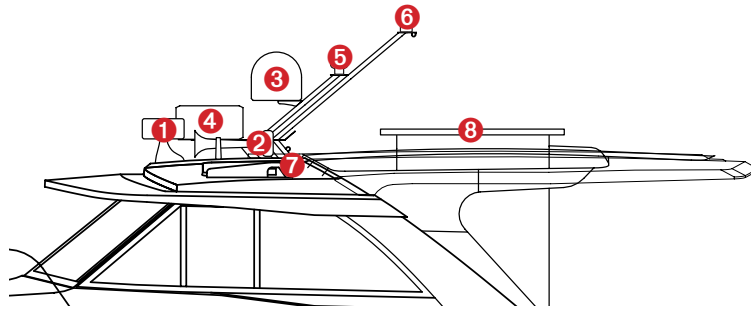
1 2 3 6 7

OPT

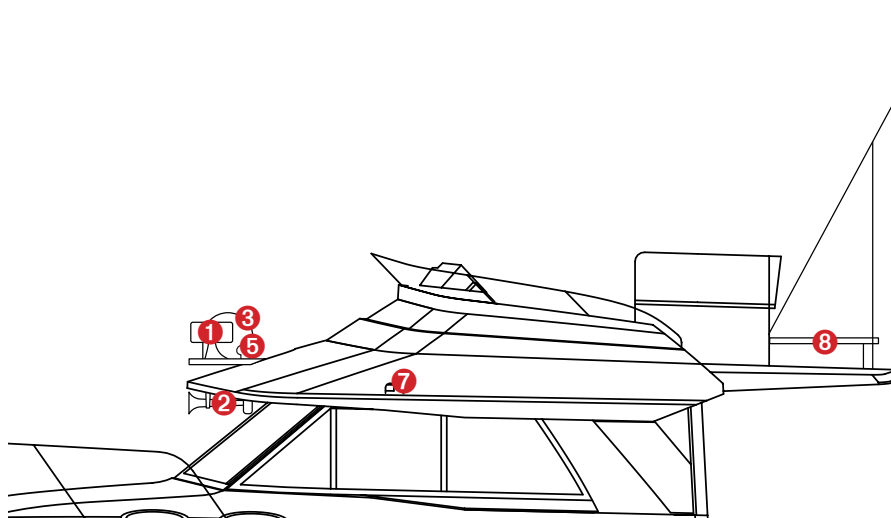
4 5 8



Sedan



Sport Top



Command Bridge

- 1 Searchlight
- 2 Horn
- 3 Digital TV Antennae (satellite ready - not included)
- 4 Radar
- 5 XM-Weather Antennae
- 6 Anchor Light
- 7 Port Navigation Light
- 8 Solar Panel

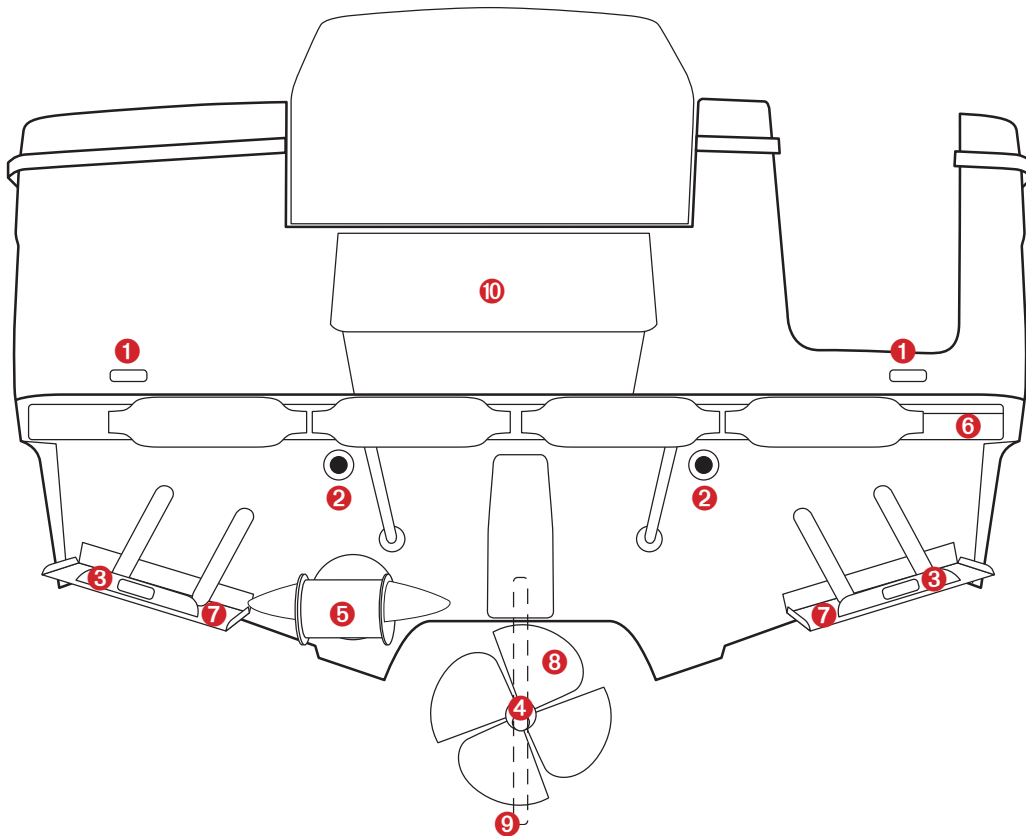
STERN COMPONENTS

STD

1 2 4 5 6 7 8 9 10

OPT

3



- 1 Courtesy Lights
- 2 Cockpit Drains
- 3 Underwater Lights
- 4 Prop Zinc
- 5 Stern Thruster
- 6 Swim Platform Retractable Ladder
- 7 Trim Tabs
- 8 Prop
- 9 Rudder
- 10 Dunnage Box

FUSE LOCATION & VALUES

STD

The dash fuse blocks are located behind the hinged mirror located inside of the bathroom. Fuses are automotive blade type and all values are shown in amps.

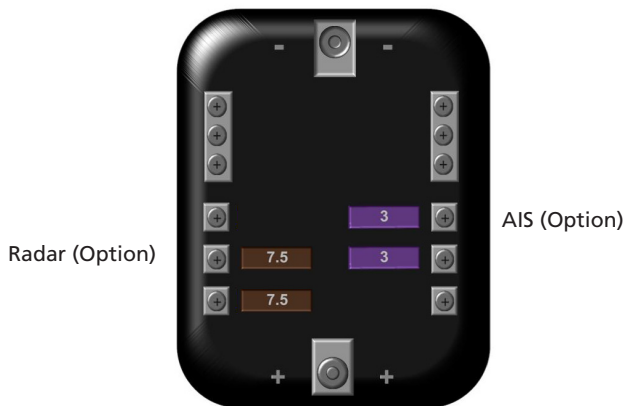
Dash Fuse Block #1



Dash Fuse Block #2



Navigation



FUSE LOCATIONS AND VALUES CONTINUED

STD

These four blocks and fuses are located in the Quarter Berth aft storage area.



The bilge pumps operate automatically with electronic float switches when all switches and breakers are in the OFF position.

However, the BILGE PUMP and BILGE PUMP2 will run continuously once their switches are placed in the on position. Monitor the outflow accordingly. Do not run when dry.

Thruster Battery and Engine Battery fuse blocks are energized even when the battery switch is off.

Thruster Battery

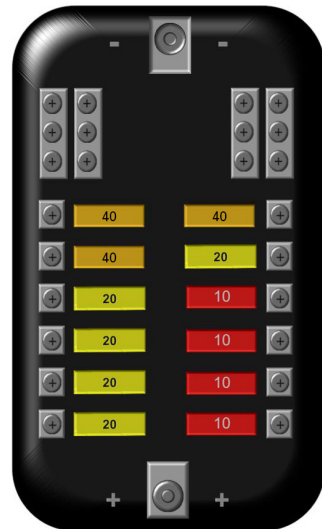
Bilge Pump (#1)
Bilge Pump (#2)
Bilge Alarm



CO Monitor (#1)
CO Monitor (#2)
Volt Meter (Battery #3)

PDP

Downrigger (Star)
Downrigger (Port)
12V Outlet (Qtr Berth)
Refrigerator
Refrigerator (Aft)
Panel (4 Switch)



Autopilot Pump
Washdown Pump
Fresh Water Pump
Cabin Lights
Misc. Lights
Spotlight

Engine Battery

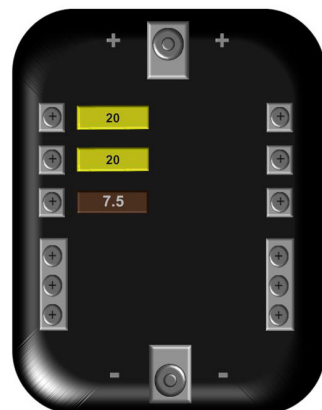
LPG Controller
Seat Sensor



Volt Meter (Battery #2)
Hatch Switch

Optional: Bridge

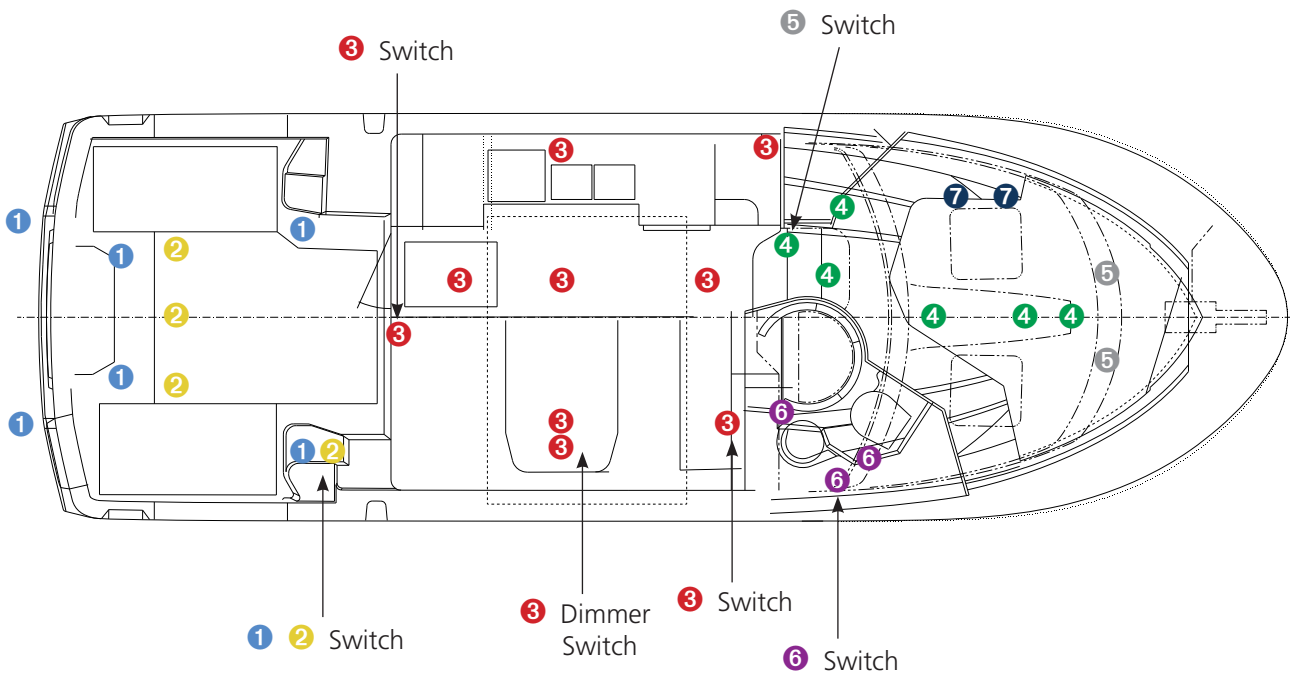
12V Outlet (Bridge)
Switch Panel (Bridge)
Screen (Option)



MAIN CABIN AND COCKPIT LIGHTS

STD

	Courtesy Light Switch	V-Berth Light Switch	Cabin Light Switch	Head Light Switch	Under Matress Light Switch
1 Courtesy Lights	✓				
2 Deck Aft Lights	✓				
3 Cabin Lights			✓		
4 V-Berth Lights		✓			
5 V-Berth Bed Lights		✓			
6 Head Lights				✓	
7 Under Matress Lights					✓



BATTERY COMPARTMENT

STD

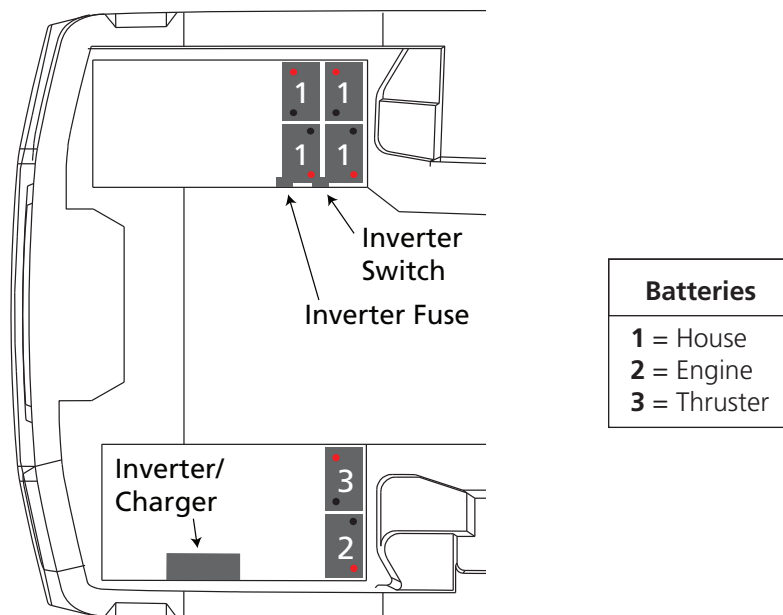
(4) House Batteries, (1) Engine Battery, (1) Thruster Battery (generator shares), Inverter/Charger Inverter Fuse (150 AMP), Inverter/Charger Cutoff Switch (Group 27, 1 each - start battery, 5 each - deep cycle batteries)

OPT

AGM (4) House Batteries, (1) Engine Battery, (1) Thruster Battery (generator shares), Inverter/Charger Inverter Fuse (150 AMP), Inverter/Charger Cutoff Switch (Group 31, 6 each - start/deep cycle batteries)



AGM batteries required for boats with solar panel.

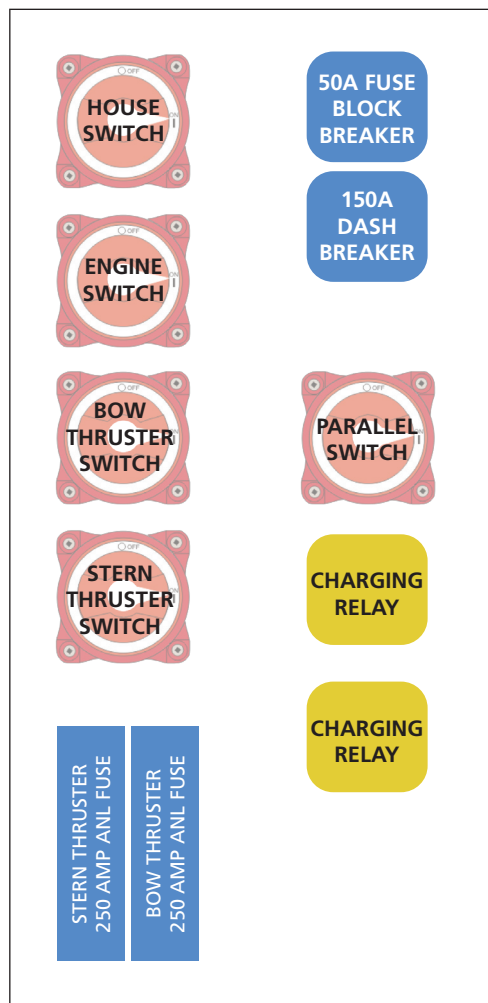


POWER DISTRIBUTION CENTER

STD

Located in the starboard cockpit step.
House, Engine, Thrusters and Crossover switch

- The parallel switch should always remain in the off position. While in the on position, the house and engine batteries will be combined as one for emergency start only.
- If the house bank drops below 10.8v you must reset the charging relay by switching on the parallel while the engine is running.



AC DISTRIBUTION PANEL, ROTARY SWITCH & DC VOLT METER

STD

AC Distribution Panel

OPT

AC Rotary Selector Switch. Available with Generator



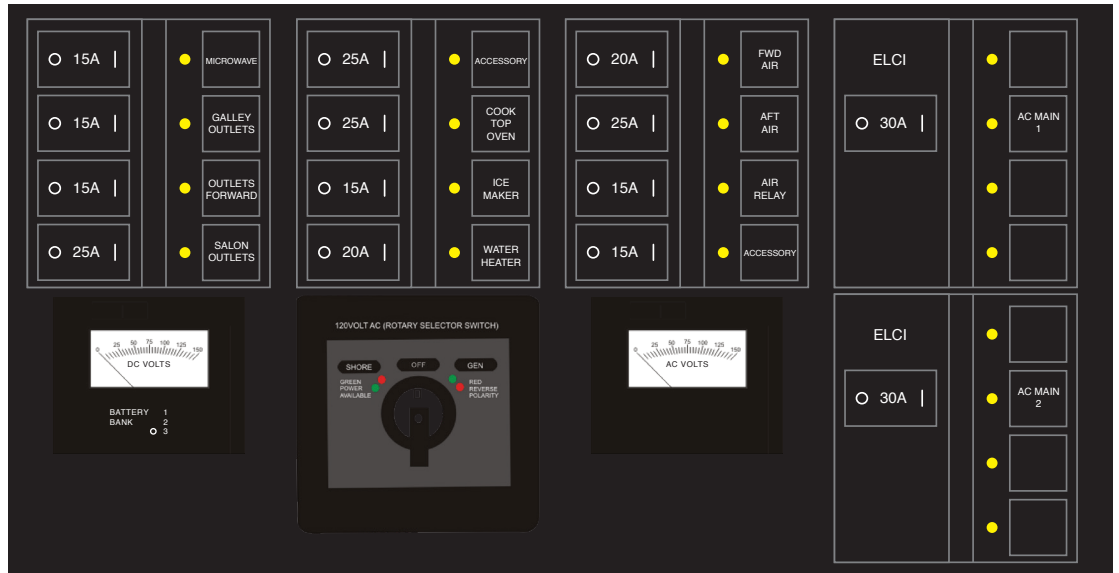
The AC Rotary Switch Selector Switch will determine which source of incoming 120 Volt power to use for your AC Distribution Panel.

Inverter Bus

AC Distribution Panel with optional Air Conditioning and/or Generator

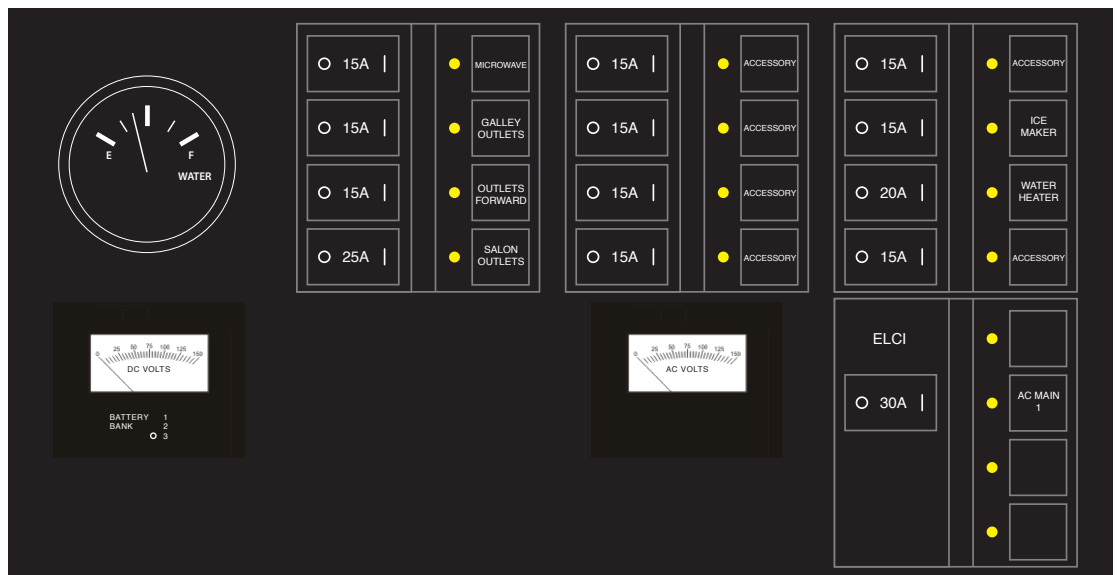
12V BATTERY MONITOR

- 1 = House
- 2 = Engine
- 3 = Thruster



Inverter Bus

AC Distribution Panel Standard



FUEL SYSTEM, ENGINE, GENERATOR & WEBASTO FURNACE

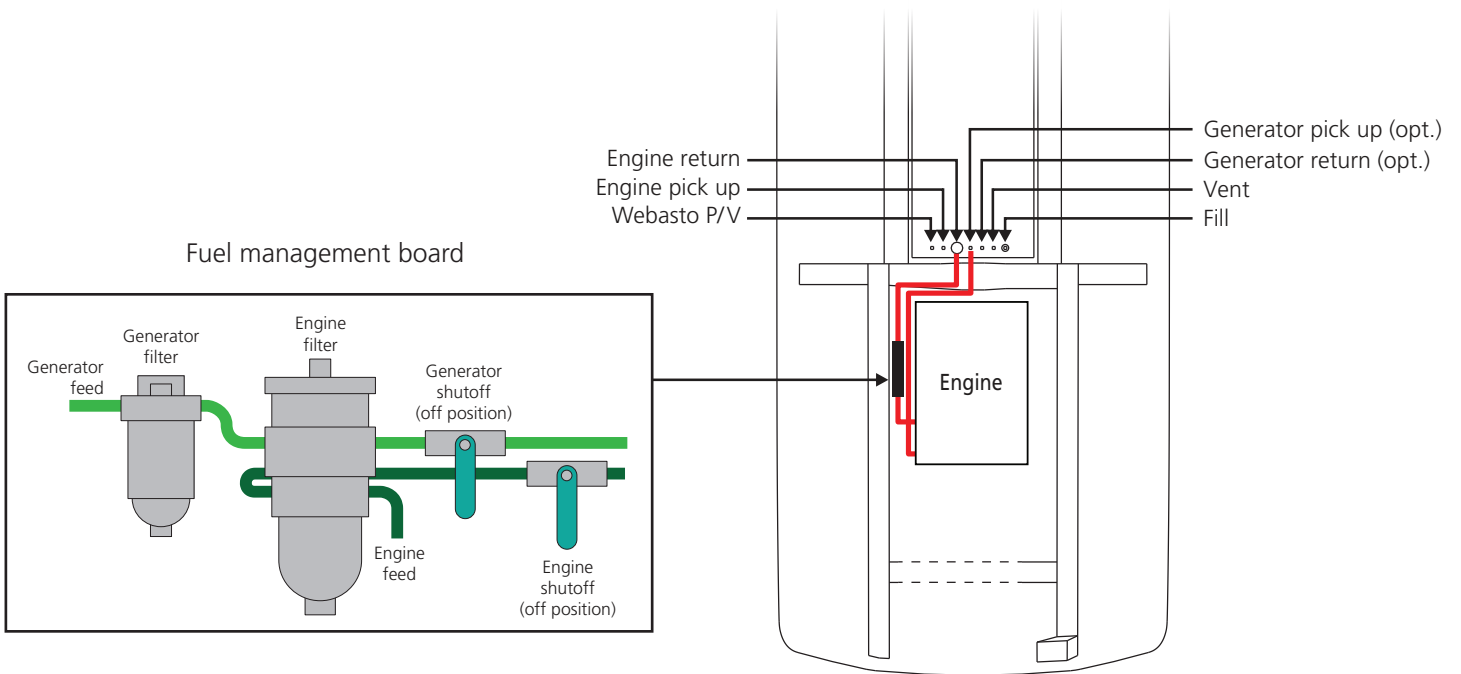
STD

D6 Volvo 435 H.P. Diesel

OPT

Generator 5.0 KW Onan, Webasto Furnace

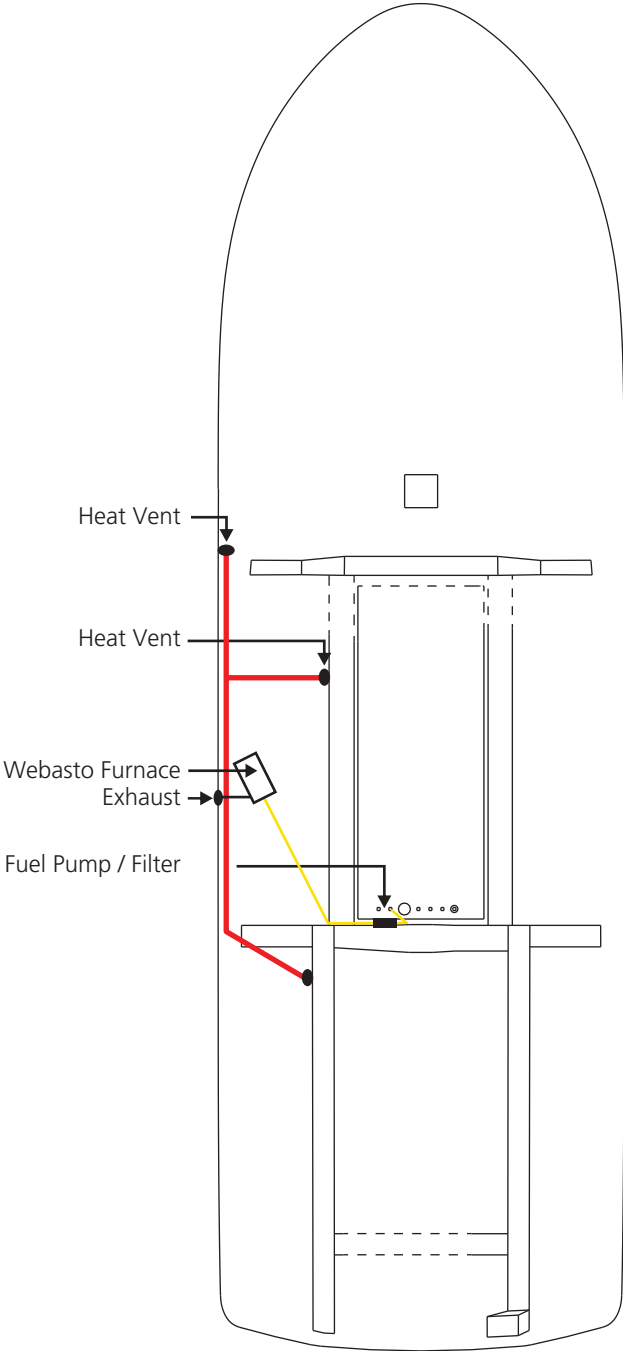
- There is a secondary on engine fuel filter that is not shown on this drawing. You will be able to find information about this filter in the diesel engine manual supplied with your boat.
- Fuel shutoff and all fuel filters are located on the Fuel Management Board, port side of engine room.



WEBASTO FURNACE

OPT

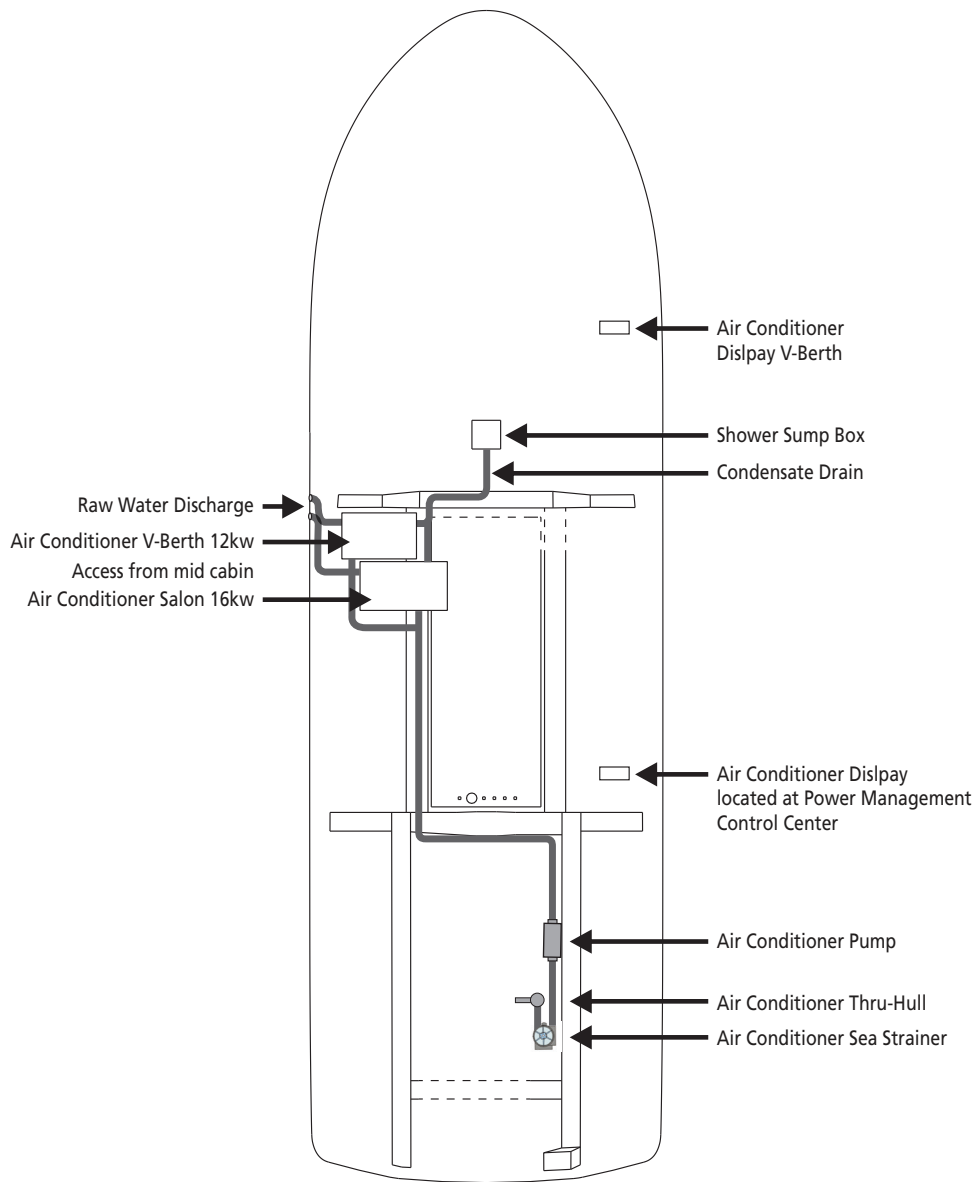
Webasto furnace is located under access panel below range.
The controller is located at the quarter berth power management center.
The pump is in the salon floor hatch compartment.



AIR CONDITIONING SYSTEM

OPT

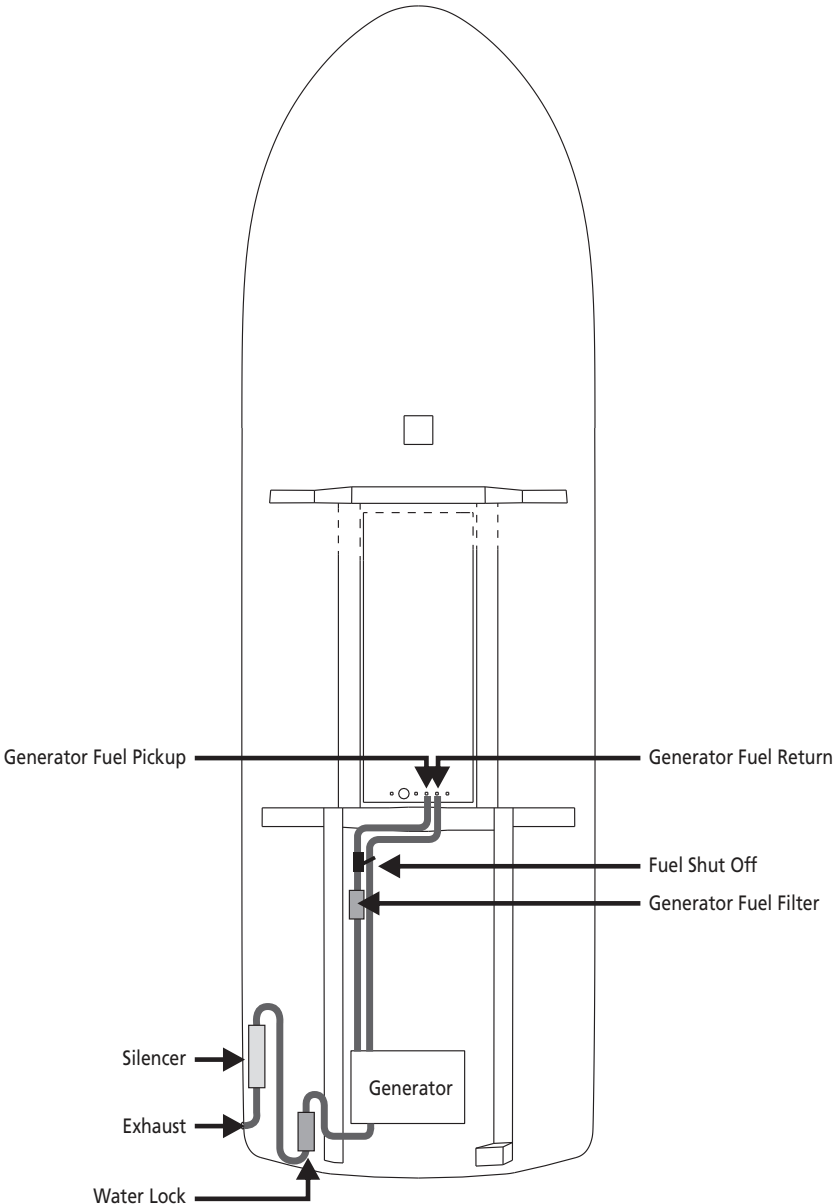
Air Conditioning System



GENERATOR

OPT

Generator 5.0 KW Onan
*Generator will start off of thruster battery #3

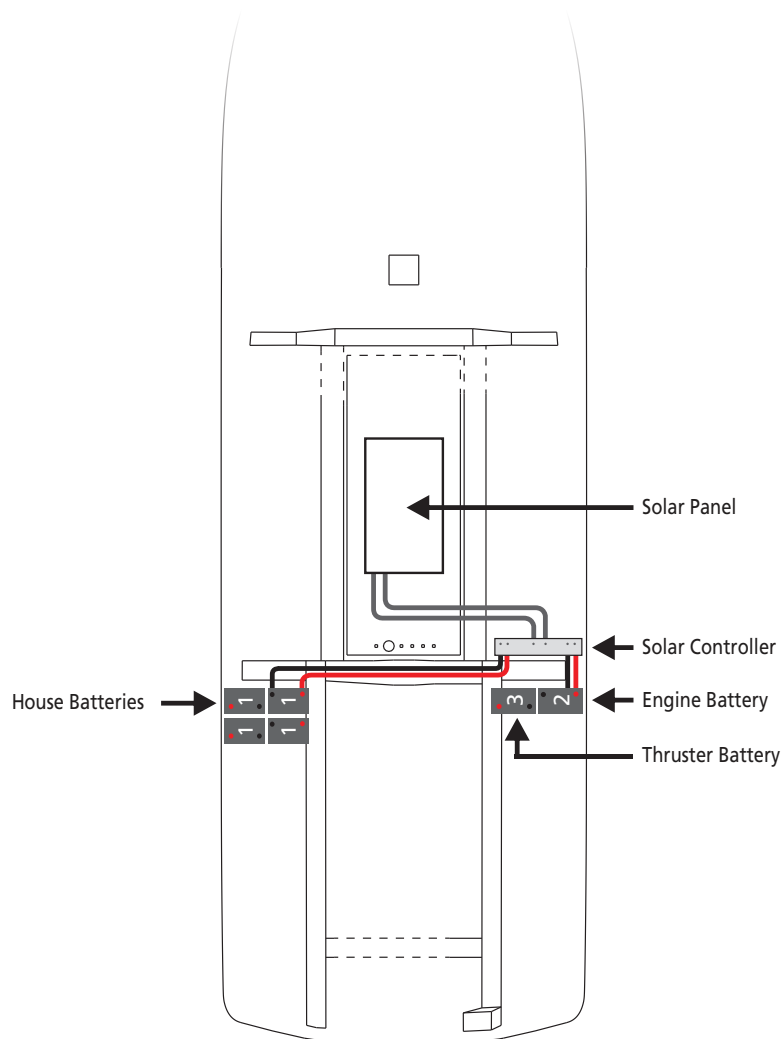


SOLAR PANEL

OPT

Solar panel 140 watt, with control panel

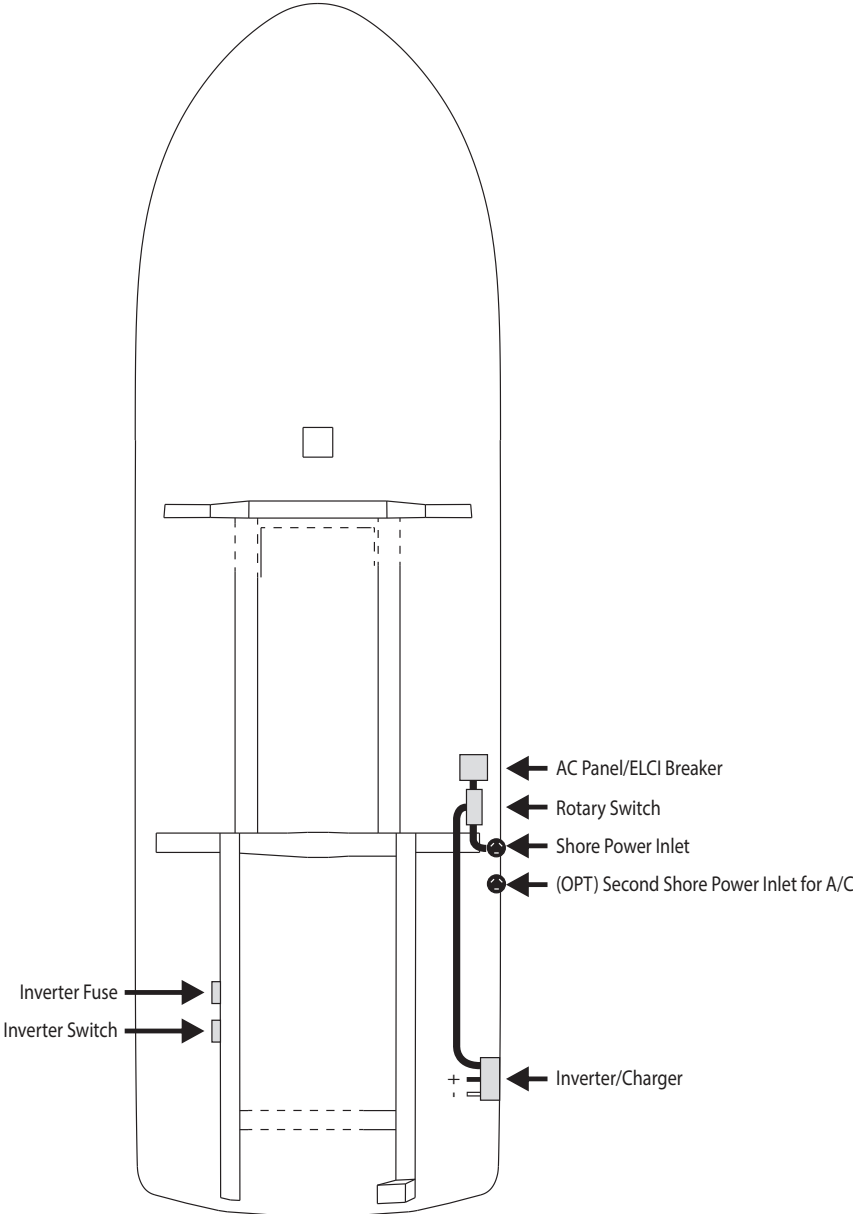
- The solar panel is designed to provide charging to the house & engine batteries. 90% of its charge is dedicated to the house battery and 10% is dedicated to the engine battery.
- The green light on the solar display indicates proper operation.
- The solar controller is located at the power management control center.
- Boats with solar panel require AGM battery upgrade.



SHORE POWER LAYOUT

STD

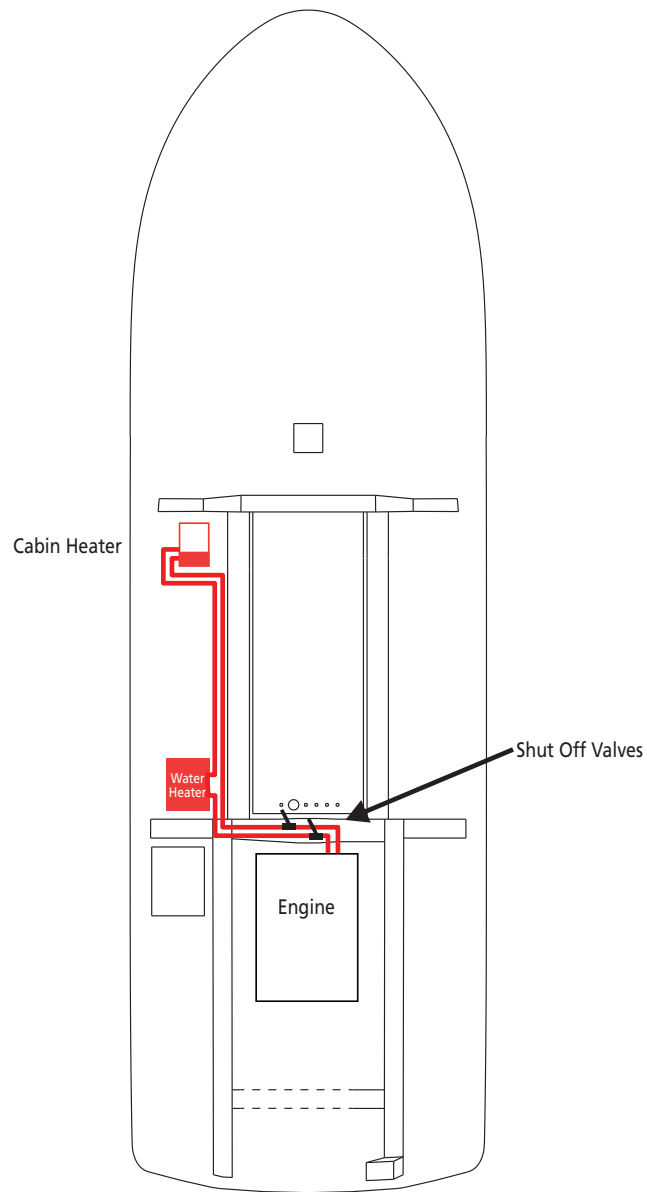
Shore Power



CLOSED ENGINE COOLING SYSTEM

STD

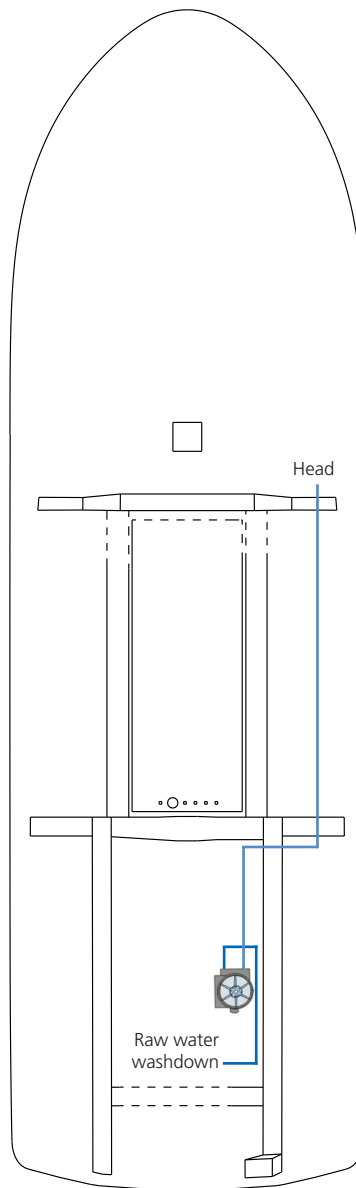
Provides alternate heating system for the Fresh Water Heater and provides primary heating source for the Forced Air Cabin Heater. This system is also designed to provide cooling to the internal components of your engine. Please refer to your engine operations manual for more information.



SEA STRAINER SYSTEM

STD

Multi Port Sea Strainer for Marine Toilet and Raw Water Washdown

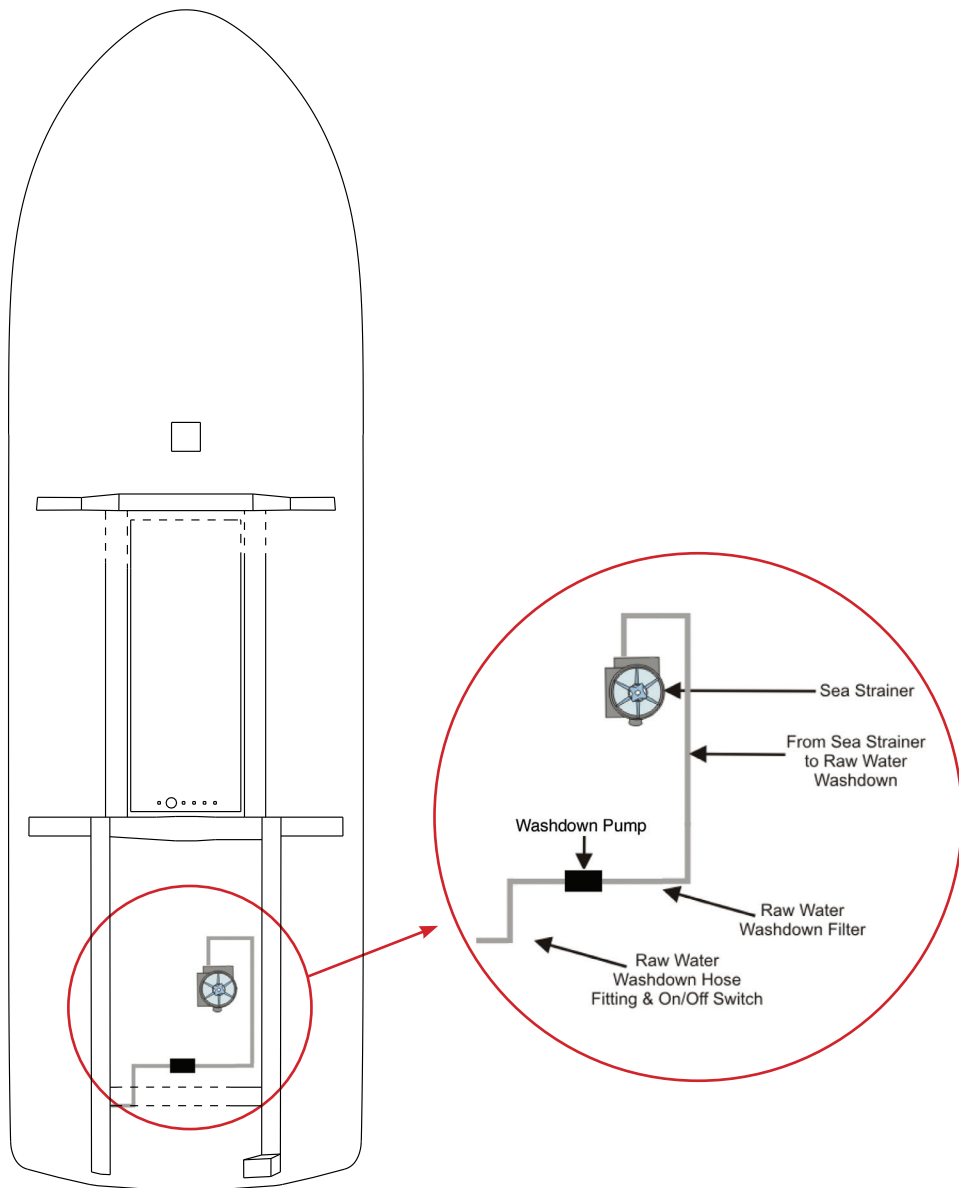


RAW WATER WASH DOWN

STD

Johnson Aqua Jet 5.2 GPM

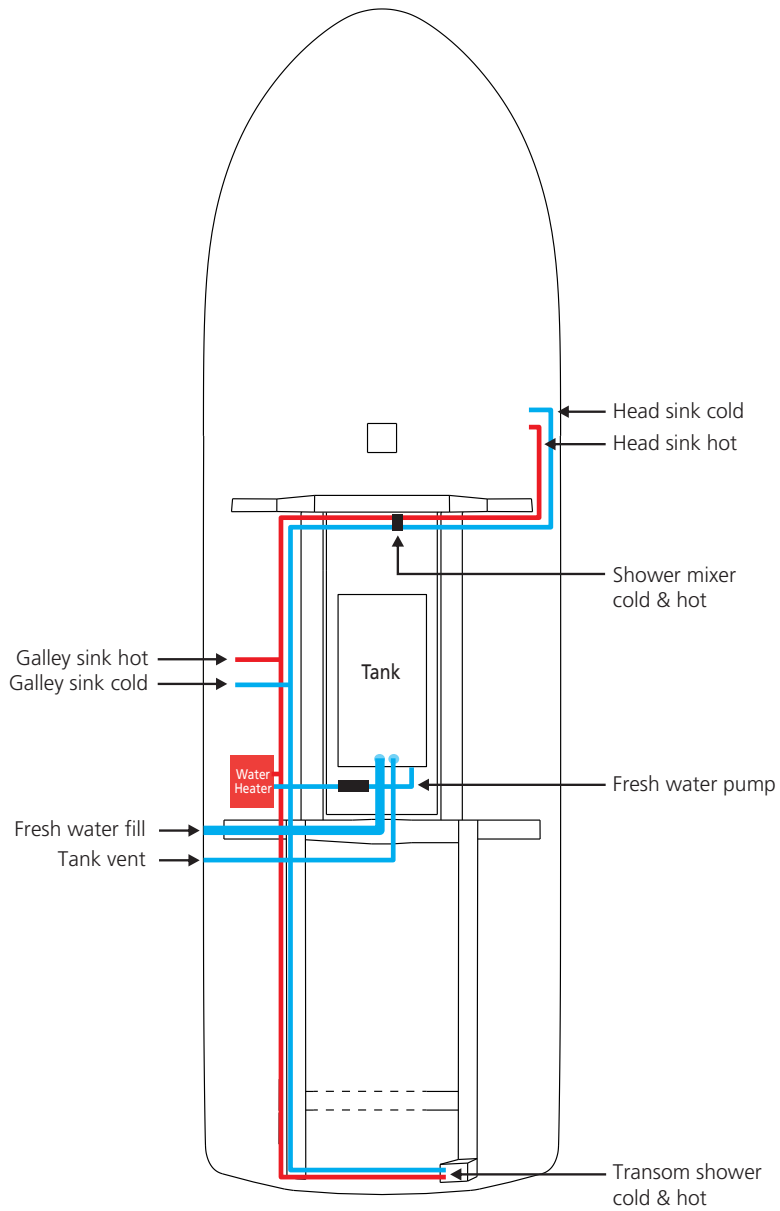
- The raw water washdown pump and all components shown are accessible from the rear of the engine compartment.



FRESH WATER PLUMBING SYSTEM

STD

60 Gallon Fresh Water Tank, 11 Gallon Water Heater, 4.0 GPM Fresh Water Pump.

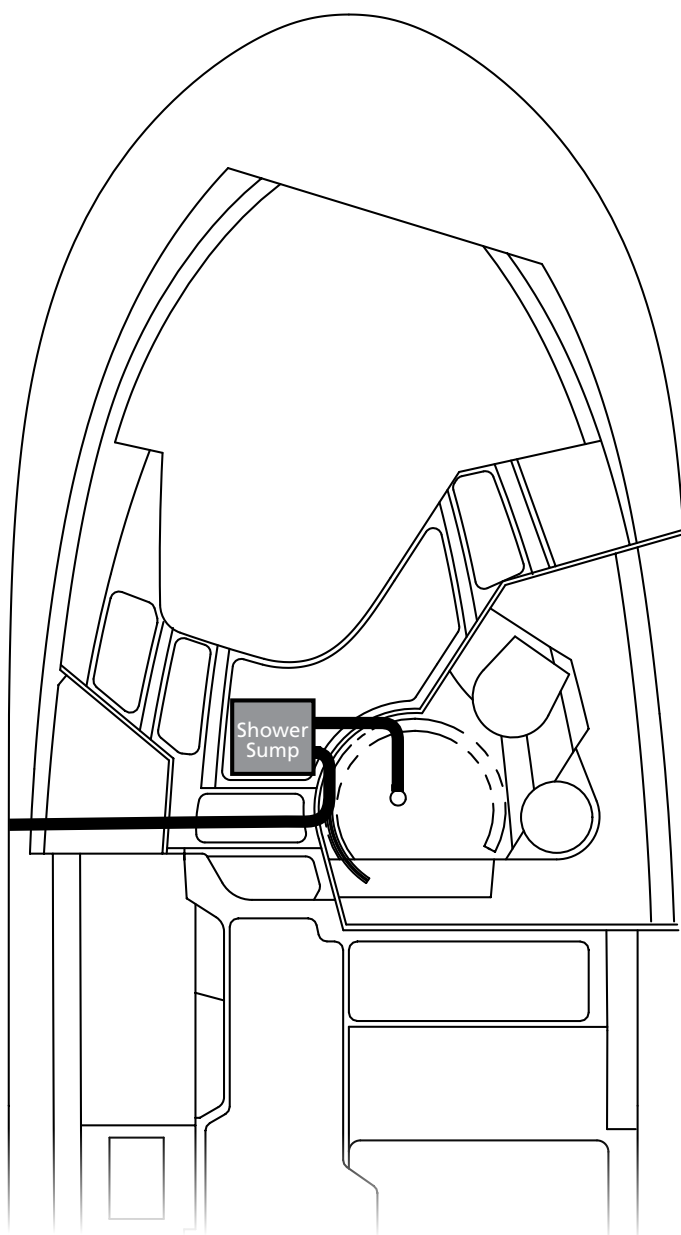


SHOWER SUMP

STD

12V, 800 GPH
(Sump should be inspected for debris on a regular basis if shower is used frequently.)

- The shower sump box is located underneath the center removable teak and holly floor.



BILGE PUMP SYSTEM

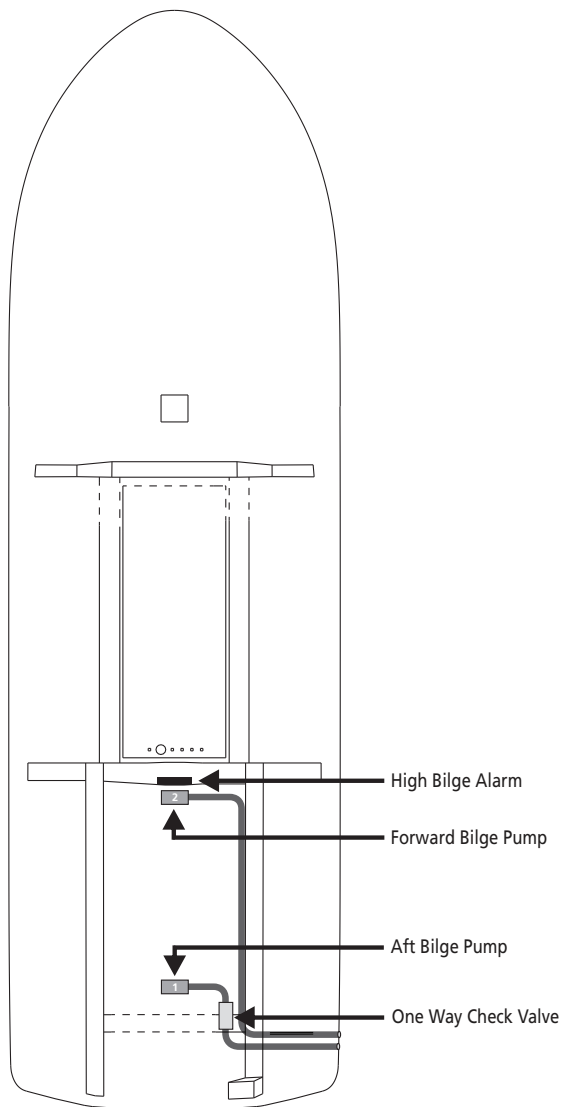
STD

12V 1000GPH



The bilge pumps operate automatically with electronic float switches when all switches and breakers are in the OFF position.

However, the BILGE PUMP and BILGE PUMP2 will run continuously once their switches are placed in the on position. Monitor the outflow accordingly. Do not run when dry.



WASTE SYSTEM WITH MACERATOR PUMP

STD



40 Gallon Tank with Macerator Pump Out (Opt.), Standard Dockside Pump Out, and Vent



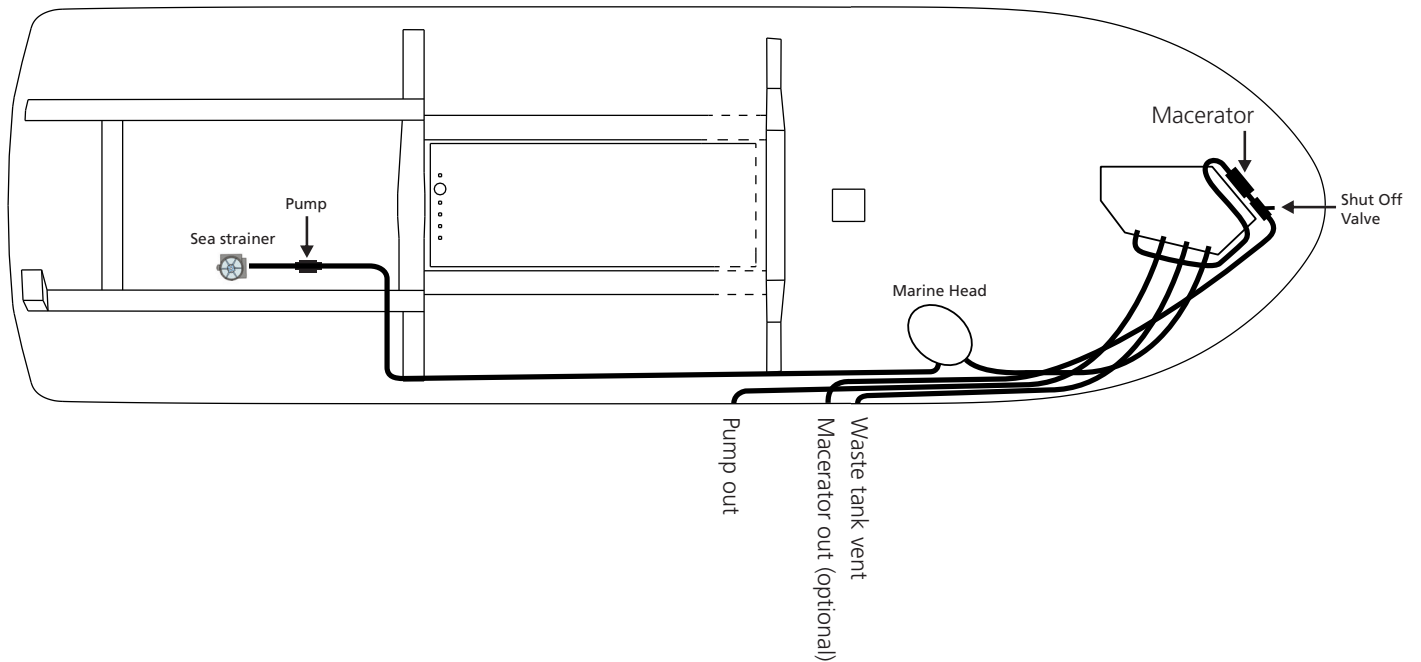
Waste tank fill level can be monitored by checking the electronic display in the head compartment. Green = Empty, Yellow = Half, Red = Full. Pump out can be done with the macerator or standard dockside pump out.



Waste tank pump out stations are widely available. Please follow the directions carefully for the pump out equipment you are using to avoid damage to the waste system.



Boat owner is responsible for following all applicable laws when using the macerator system to pump out into the surrounding waters.



MAST SET UP AND TAKEDOWN

SEDAN AND SPORT

MAST SET UP PROCEDURE

1. Remove the two black plastic wing nuts from the mast base.
2. While supporting the mast, remove the pin in the support bar.
3. Raise the mast to its full extension and ensure that it fits correctly over the mounting studs on the roof mounting plate.
4. Secure the stainless steel retaining bar in the appropriate rubber clip attached to the hard top.
5. Attach the two black plastic wing nuts to the mounting studs and hand tighten securely.

MAST TAKE DOWN PROCEDURE

1. Remove the two black plastic wing nuts from the mast base mounting studs.
2. Carefully lower the mast onto the stainless steel support bar and attach retaining pin.
3. Attach the black plastic wing nuts back onto the screws on the mast mounting plate and secure them for storage by hand tightening.
4. Recommend securing the mast with a tie down.

COMMAND BRIDGE

MAST SET UP PROCEDURE

1. Remove retainer clip from bottom end of support plate.
2. Using support pole, push mast into the upright position and secure with retaining clip to fitting on solar panel support bar.
3. Attach mast sides to port and starboard aft seat backs with retaining clips.
4. Attach port and starboard forward support arms to seat fittings with retaining clips.

MAST TAKE DOWN PROCEDURE

1. Detach port and starboard forward support arms from seat fittings.
2. Detach mast sides from port and starboard aft seat backs.
3. Release mast fittings from solar panel support bar and lower.
4. Install retainer clip on bottom end of support plate.

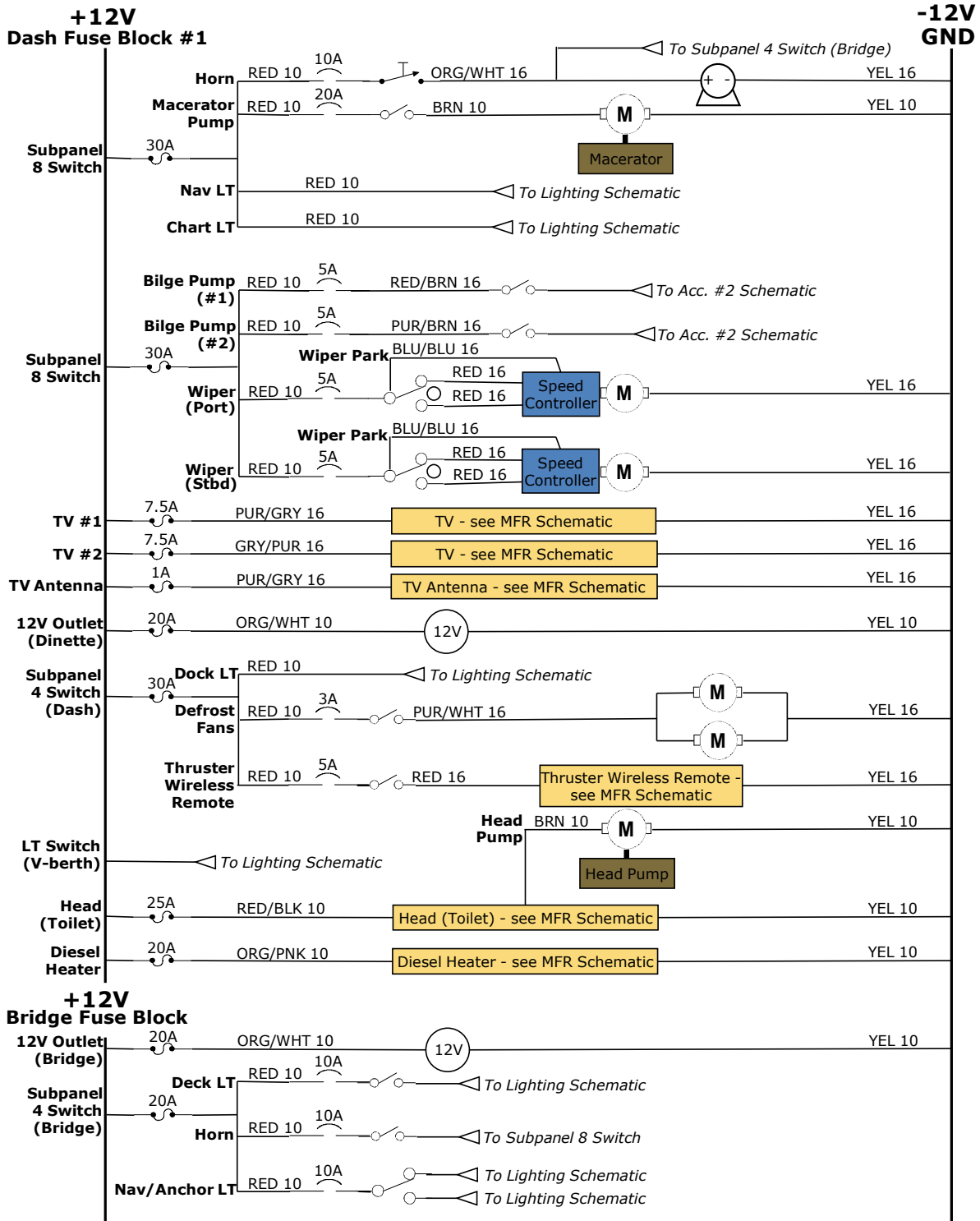
BRIDGE SET UP

Always transport boat with Moving Bridge in the down position resting on support blocks and secured with provided ratchet strap. Helm seat should always be removed and stowed in main cabin.

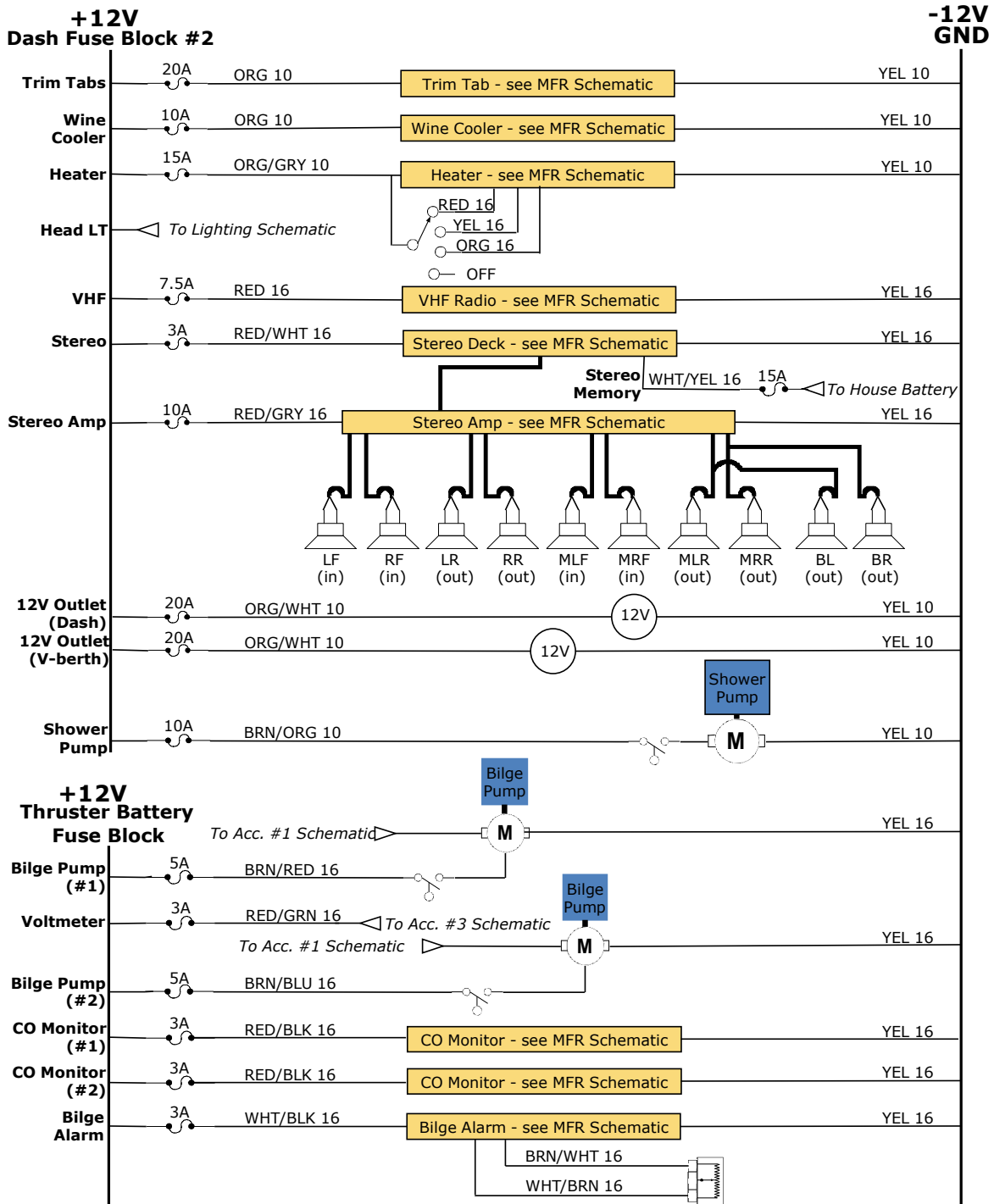
To set Moving Bridge to upright position - remove ratchet strap - at that time the bridge should easily be lifted into the upright position. Move stainless support legs into retention blocks and flop latch into place to secure support legs.

To set bridge back into the transport position - disengage retention latches pull support legs aft and push bridge down to contact support blocks - secure with ratchet strap.

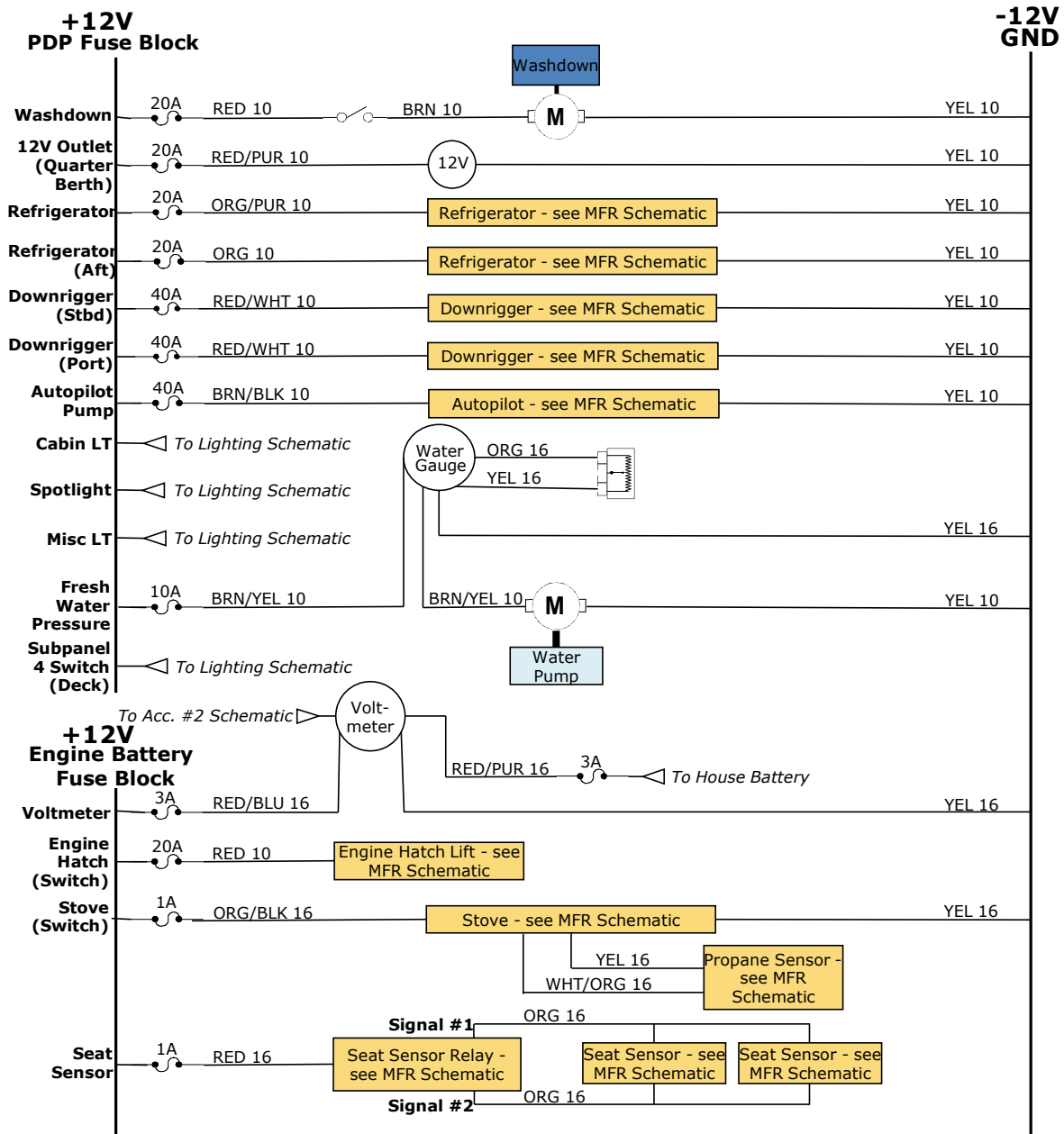
CUTWATER 30 WIRING SCHEMATIC (ACC. 1)



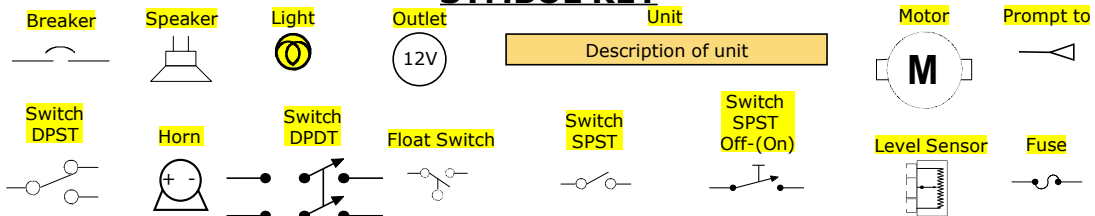
CUTWATER 30 WIRING SCHEMATIC (ACC. 2)



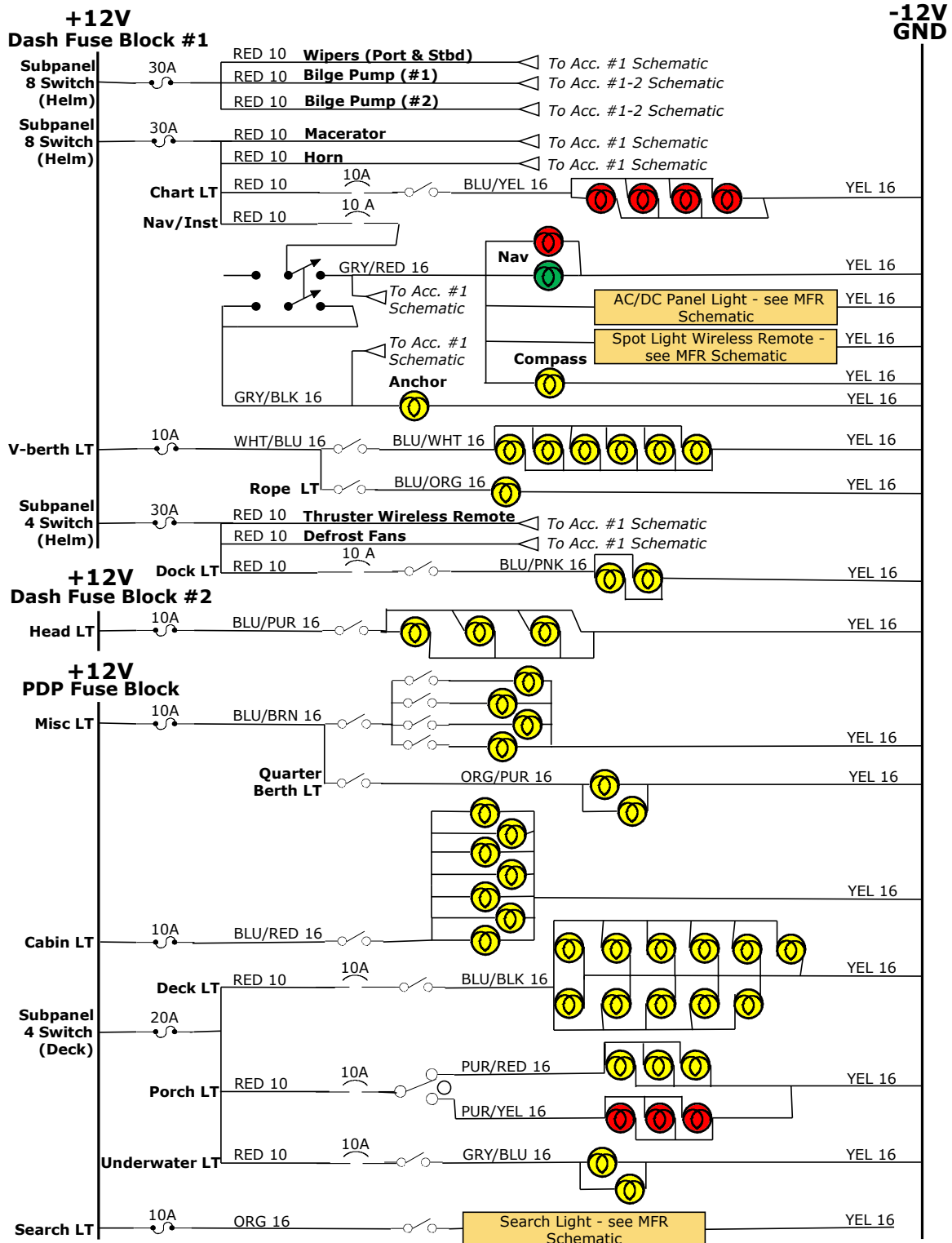
CUTWATER 30 WIRING SCHEMATIC (ACC. 3)



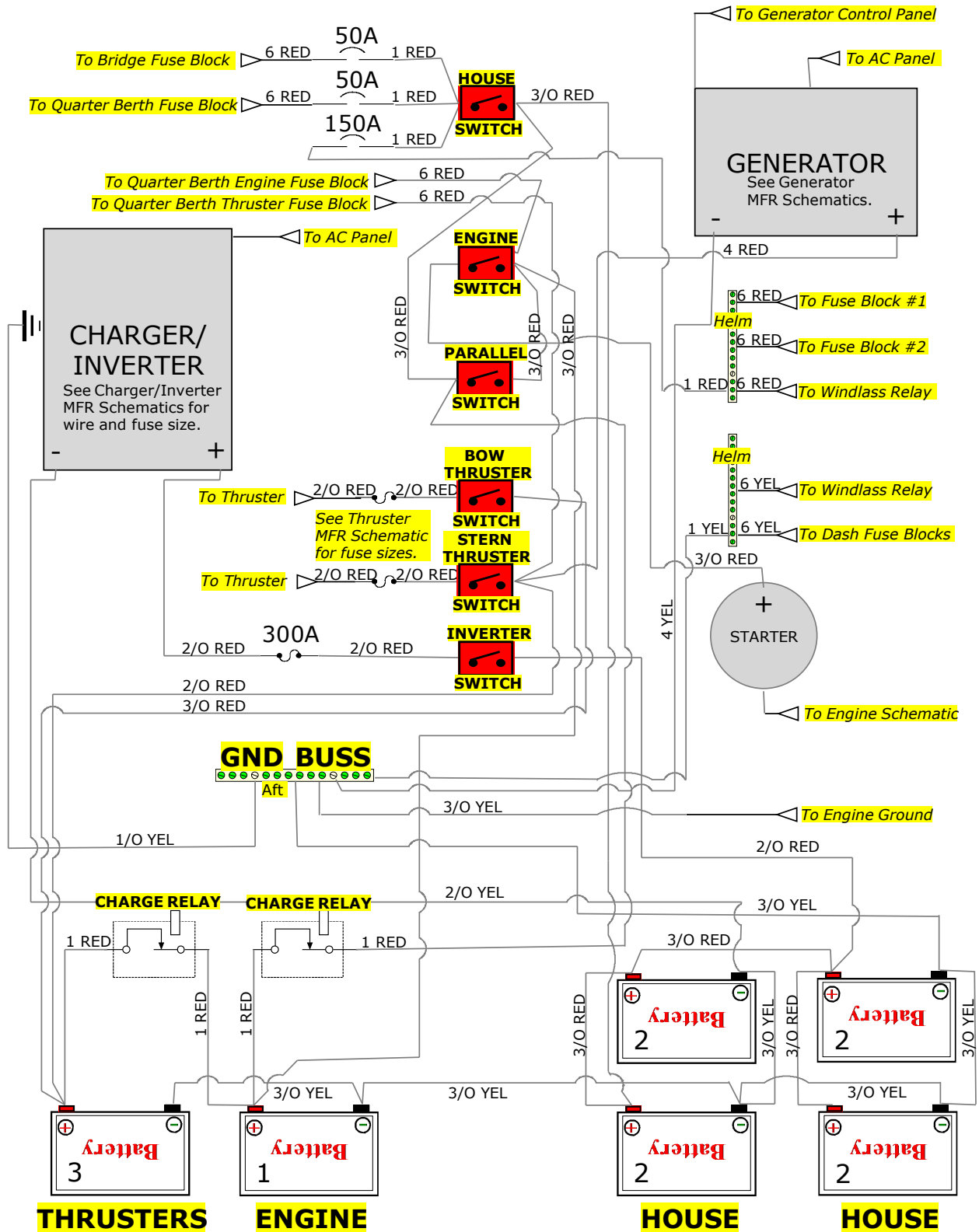
SYMBOL KEY



CUTWATER 30 WIRING SCHEMATIC (LIGHTING)

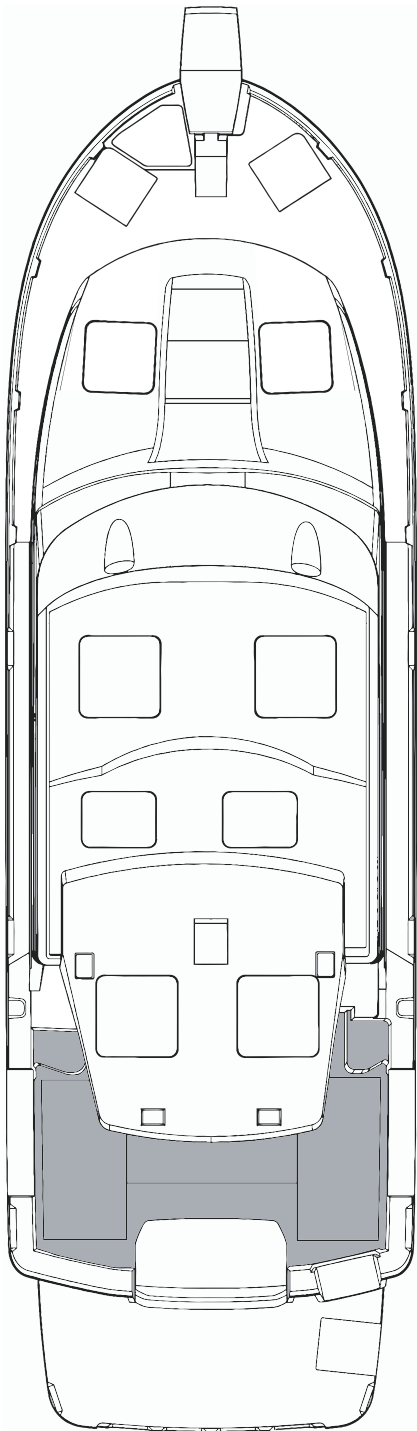


CUTWATER 30 WIRING SCHEMATIC (P.D.P.)

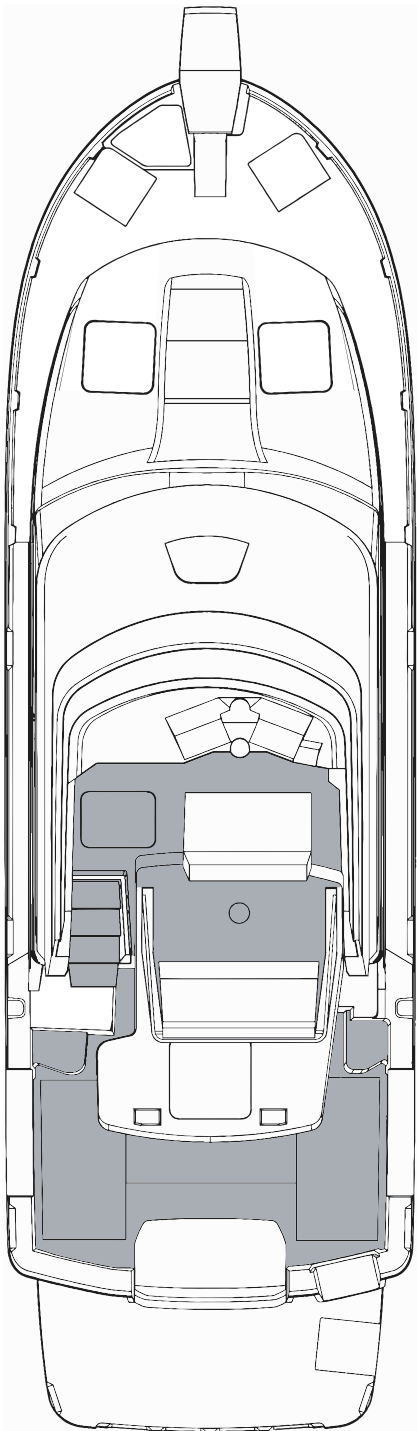


WORKING DECK

STD



Sedan



Command Bridge

CARE AND MAINTENANCE



The following checklists are examples and are not all inclusive and are provided only as a guide. Please customize to your personal needs. Consult your engine and trailer user manuals for additional information.

EXAMPLE OF A PREPARATION FOR THE ROAD CHECKLIST

TOW VEHICLE – PRIOR TO USE

- Test Lights.
- Check brakes.
- Check tire pressure and condition.
- Check hitch related electrical connections.

TRAILER – PRIOR TO USE

- Check registration
- Check rollers and bed rails.
- Check wheel bearings and lubricate as required.
- Check winch.
- Test electrical connection and lights.
- Check tire pressure and condition.
- Check safety chains.
- Check boat straps.
- Check braking system.
- Check hitch for proper connection and lock down.
- Install safety chains (cross under hitch).
- Remove tire blocks.

BOAT – PRIOR TO USE WITH TRAILER


- Lower mast.
- Lower VHF antenna.
- Secure the Bimini awning frame.
- Raise and secure swim platform ladder.
- Set all switches and breakers to the OFF position, Including Thruster/Windlass cutoff switch
- Close and secure all windows, ports and vents.
- Lock cabin.
- Center rudder.
- Remove Drain Plug

EXAMPLE OF A SPRING PRE-LAUNCH CHECKLIST

CLEANING

- Remove debris from scuppers and scupper drains.
- Clean hull using a mild biodegradable detergent and then wax.
- Clean topsides and decks using a mild biodegradable detergent and then wax.
- Clean and polish all bright work.
- Clean and oil teak.
- Clean windows, ports, and hatches.
- Clean bimini cover.
- Check and clean anchor, rode, and anchor storage compartment.

INSPECTION

- 
- Check Drain Plug
 - Check spare parts and tools and replace as necessary.
 - Check wiper blades.
 - Check swim platform.
 - Inspect and test trim tabs.
 - Check condition of bottom paint.
 - Check windlass.
 - Verify electronics for correct operation.
 - Check all inside and outside lights.
 - Macerator shut off valve in proper position and secured.
 - Inspect and verify position of all sea cocks and shut off valves.
 - Check alarms for proper operation.
 - Check fluid levels.

SAFETY EQUIPMENT

- Sound signaling device.
- Check flares and their expiration dates.
- Check personal flotation devices.
- Check fire extinguishers and their fill dates.
- First aid kits.
- Throw cushions.

GALLEY

- Check stove for proper operation.
- Check everyday utensil stock.

DOCUMENTS

- Registration sticker.
- Insurance papers and Passports.
- Boat Inspection sticker.
- Charts and float plan forms.

EXAMPLE OF WINTER STORAGE CHECKLIST

GENERAL MAINTENANCE

- Fill Fuel Tank and add a fuel stabilizer.
- Empty and clean black water tank.
- Empty fresh water tank, winterize – use a non-toxic antifreeze per manufacturer's directions. Ensure to cycle through all lines, water heater, shower sump box and transom shower.
- Winterize black water tank as necessary based on weather and cycle through macerator pump and pump out line.
- Check bilge area for oil and for proper operation
- Check zincs and replace as necessary.
- Check and clean water strainer.
- Clear barnacles and debris from hull fittings.
- Trickle charge batteries every 30-60 days.
- Vent boat to prevent mildew.
- Check trailer tire pressure and condition.
- Check trailer braking system.
- Check trailer bearings.
- Remove Drain Plug.
- Turn off all battery cutoff switches.

ENGINE

- Check raw water impeller.
- Winterize sea strainer and all raw water lines outside of closed cooling system.
- Flush sea strainer system with fresh water.
- Check all fluid levels.
- Check all hose fittings.
- Check engine maintenance requirements.
- Inspect and verify position of all sea cocks and shut off valves.

GALLEY

- Empty, clean and freshen refrigerator.
- Remove all dry food from storage.

Generator

- Winterize generator sea strainer and all lines outside of closed cooling system.

Air Conditioning

- Winterize all raw water cooling lines by cycling through all lines until it exits port side thru-hulls.

Cutwater Boats recommends that to ensure proper winterization and to protect your valuable asset that you have an authorized dealer perform all winterization and service procedures.

REFERENCE MATERIAL

The following table contains a list of reference materials provided by Cutwater that are contained under separate manuals.

EQUIPMENT	ORIGINAL MANUFACTURER
Navigation System	Garmin
Engine C30	Volvo D6 435 H.P., gear model ZF 15 HS80 AE
Furnace, diesel	Webasto
Trim Tabs	Bennett
Thrusters	Side Power
Search Light	ITT
Raw Water Wash Down	Johnson Pump
Water Pump	Johnson Pump
Heater	Heater Craft
Water Heater	Webasto Isotemp
Refrigerator	Nova Kool
Compass	Ritchie
Power Cord	Furion
Kitchen Faucet	Scandvik
Head Faucet	Scandvik
Sea Strainer	Marine Hardware
Battery Charger/Inverter	(Pro Mariner)
AC Rotary Switch	Blue Sea
AC Distribution Panel	Blue Sea
DC Distribution Panel	Blue Sea
Steering System	Ultraflex
Windlass	Lewmar
Generator	Onan 5.0 kw
Air Conditioner	Webasto FCF Series

CONTACTS

Customer Service

Andrew Custis Customer Service Manager

Phone 253-839-5213

AndrewCustis@cutwaterboats.com

Web Site

www.Cutwaterboats.com

All rights reserved. Reproduction or translation by any means in whole or in part is not permitted without written authorization from Cutwater. The information contained herein is correct to the best of Cutwater knowledge and the contents may change without notice and without incurring obligation.



Phone 253.839.5213

Fax 253.839.5218

cutwaterboats.com

17300 Tye St. S.E
Monroe, Washington 98272